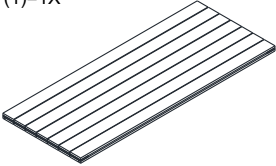



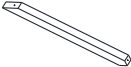


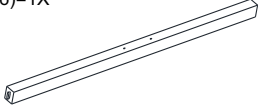
ASSEMBLY INSTRUCTIONS


(1)=1X 


(2)=2X  (3)=2X 


(4)=2X 


(5)=2X 


(6)=1X 


(A)=4X  (M8x130)


(B)=6X  (M8x15)


(C)=8X  (M8x70)

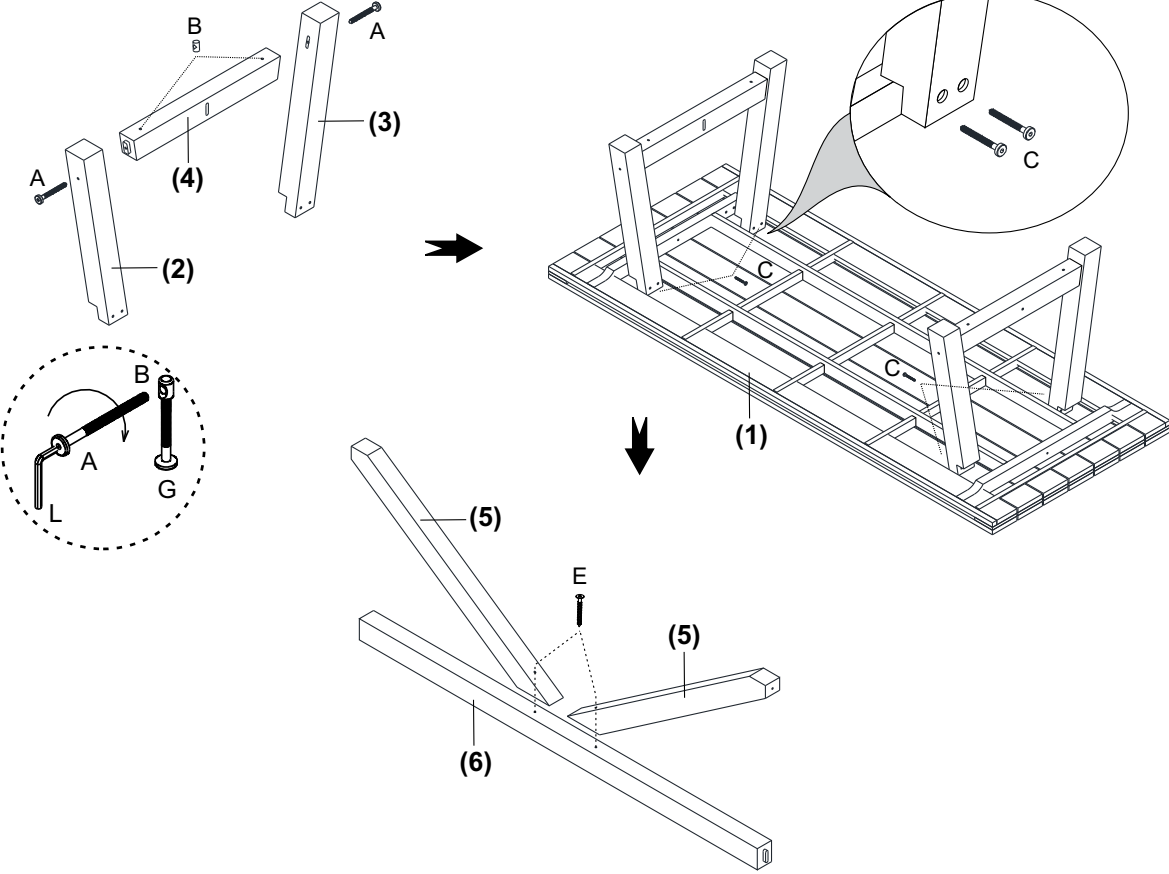
(D)=2X  (M8x100)

(E)=2X  (M6x70)

(F)=2X  (M6x60)

(G)=1X  (M6x50)

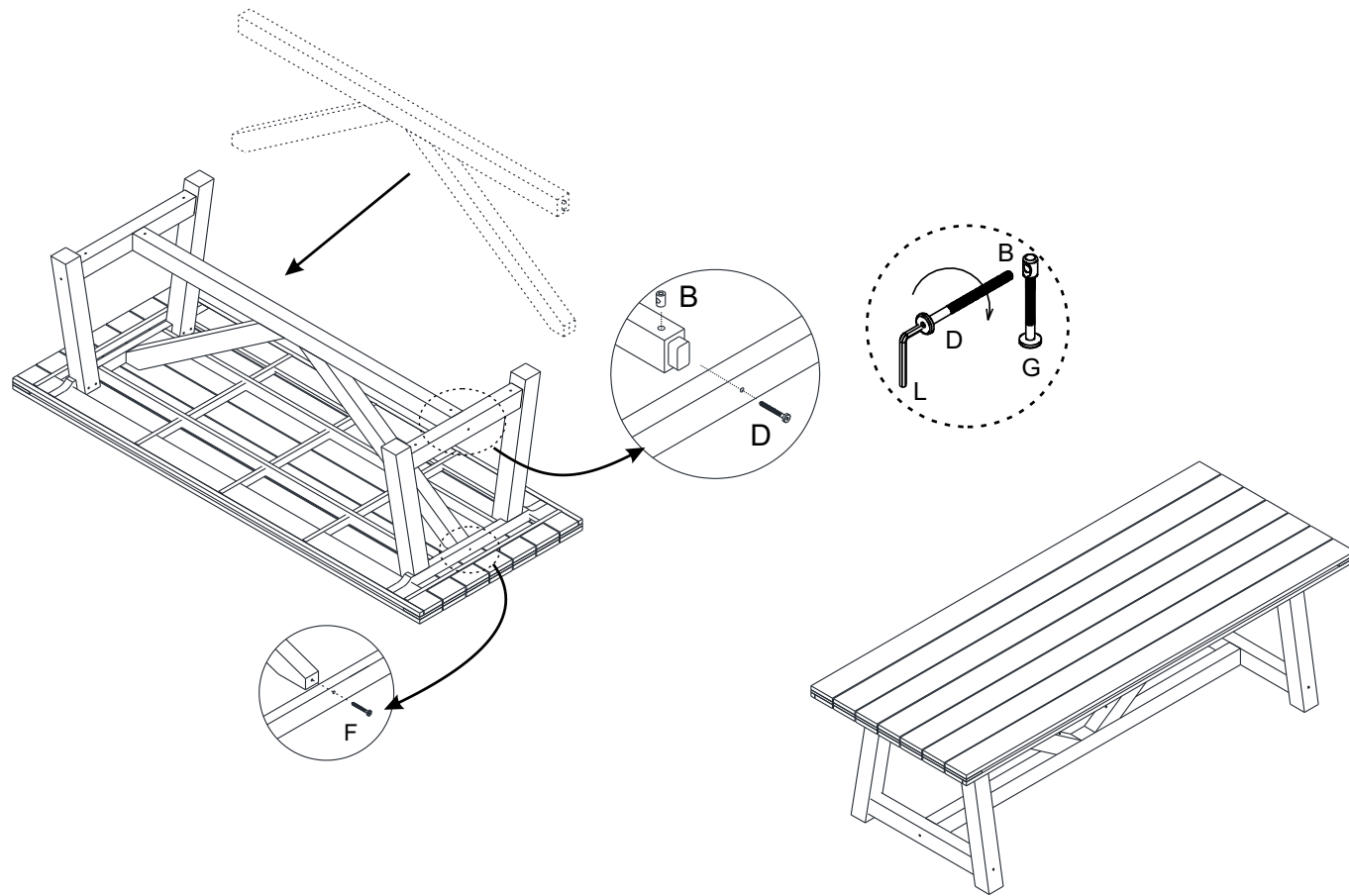
(L)=1X 



(Don't fully tighten any Bolts and Screws until all components are assembled)

PAGE 1/2

ASSEMBLY INSTRUCTIONS



(Don't fully tighten any Bolts and Screws until all components are assembled)

PAGE 2/2