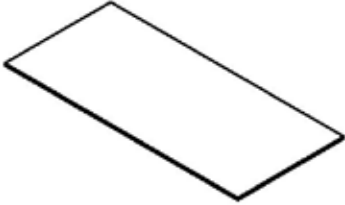
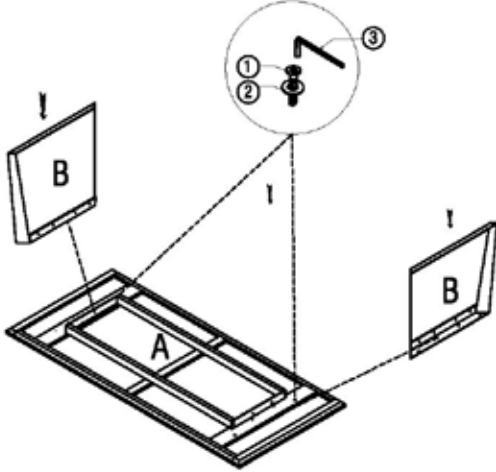
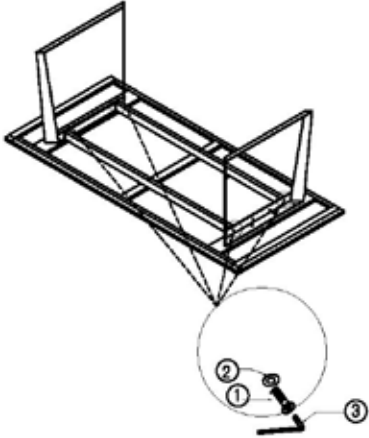
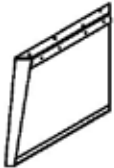
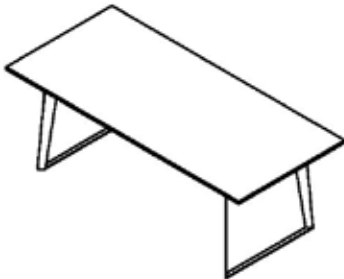











<p>Ax1</p> 	<p><b>Step 1</b></p> 	<p><b>Step 2</b></p> 												
<p>Bx2</p> 	<p><b>Finish</b></p> 													
<table border="1"> <thead> <tr> <th>No</th> <th>Name of Component</th> <th>Q.ty</th> </tr> </thead> <tbody> <tr> <td>①</td> <td> Bolt M8 x 20</td> <td>16</td> </tr> <tr> <td>②</td> <td> Washer Ø8/Ø22 x 2</td> <td>16</td> </tr> <tr> <td>③</td> <td> Allen key M4</td> <td>1</td> </tr> </tbody> </table>			No	Name of Component	Q.ty	①	 Bolt M8 x 20	16	②	 Washer Ø8/Ø22 x 2	16	③	 Allen key M4	1
No	Name of Component	Q.ty												
①	 Bolt M8 x 20	16												
②	 Washer Ø8/Ø22 x 2	16												
③	 Allen key M4	1												