
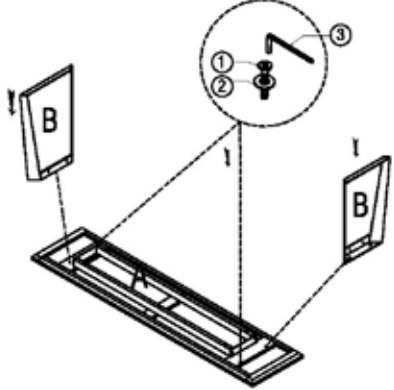

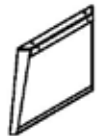
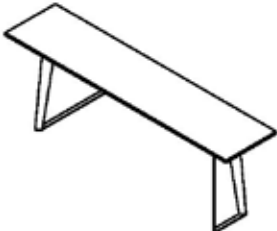











ASSEMBLY INSTRUCTION BENCH 835-101/102

| <p>Ax1</p>  | <p>Step 1</p>  | <p>Step 2</p>  | | | | | | | | | | | | |
|--|--|--|----|-------------------|------|---|--|---|---|---|---|---|--|---|
| <p>Bx2</p>  | <p>Finish</p>  | | | | | | | | | | | | | |
| <table border="1" style="width: 100%; border-collapse: collapse;"> <thead> <tr> <th style="width: 5%;">No</th> <th style="width: 25%;">Name of Component</th> <th style="width: 10%;">Q.ty</th> </tr> </thead> <tbody> <tr> <td style="text-align: center;">①</td> <td> Bolt M8 x 20</td> <td style="text-align: center;">8</td> </tr> <tr> <td style="text-align: center;">②</td> <td> Washer Ø8/Ø22 x 2</td> <td style="text-align: center;">8</td> </tr> <tr> <td style="text-align: center;">③</td> <td> Allen key M4</td> <td style="text-align: center;">1</td> </tr> </tbody> </table> | | | No | Name of Component | Q.ty | ① |  Bolt M8 x 20 | 8 | ② |  Washer Ø8/Ø22 x 2 | 8 | ③ |  Allen key M4 | 1 |
| No | Name of Component | Q.ty | | | | | | | | | | | | |
| ① |  Bolt M8 x 20 | 8 | | | | | | | | | | | | |
| ② |  Washer Ø8/Ø22 x 2 | 8 | | | | | | | | | | | | |
| ③ |  Allen key M4 | 1 | | | | | | | | | | | | |