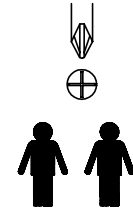


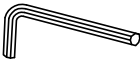


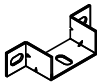
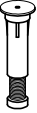
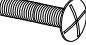



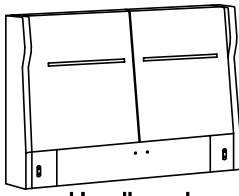
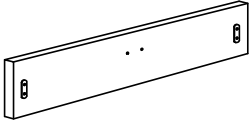



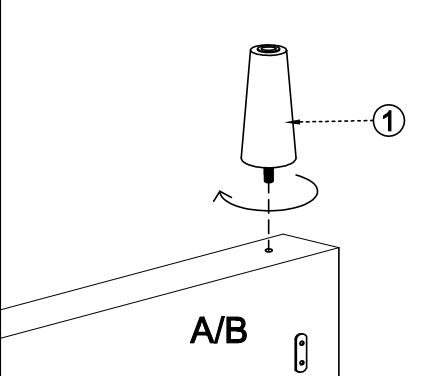
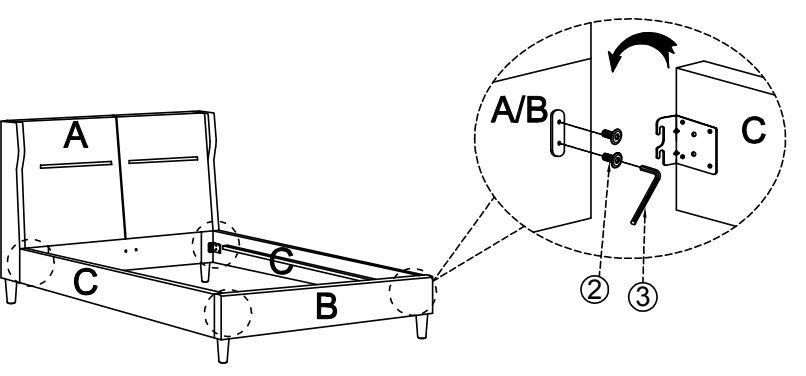
Tools Needed
2 person build

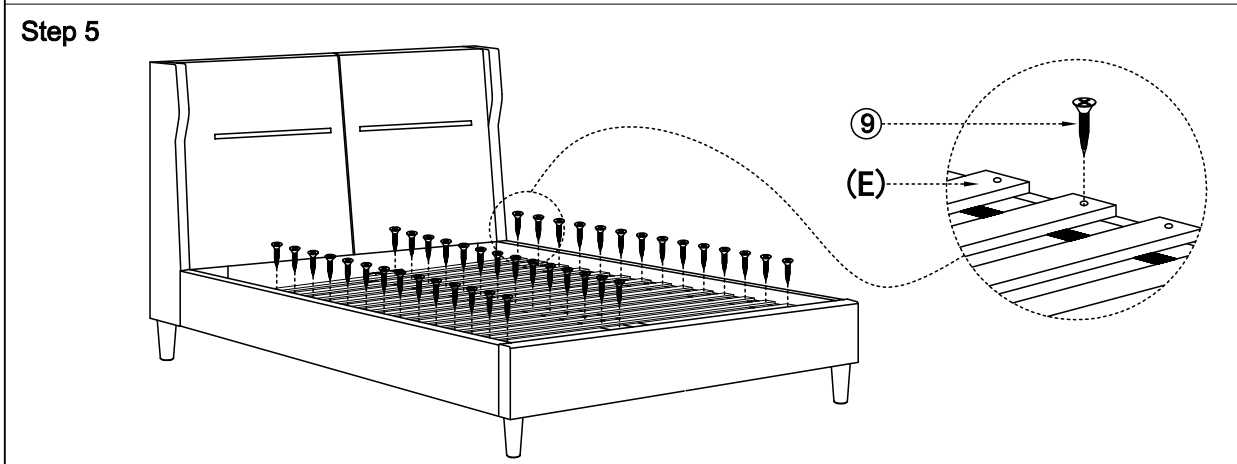
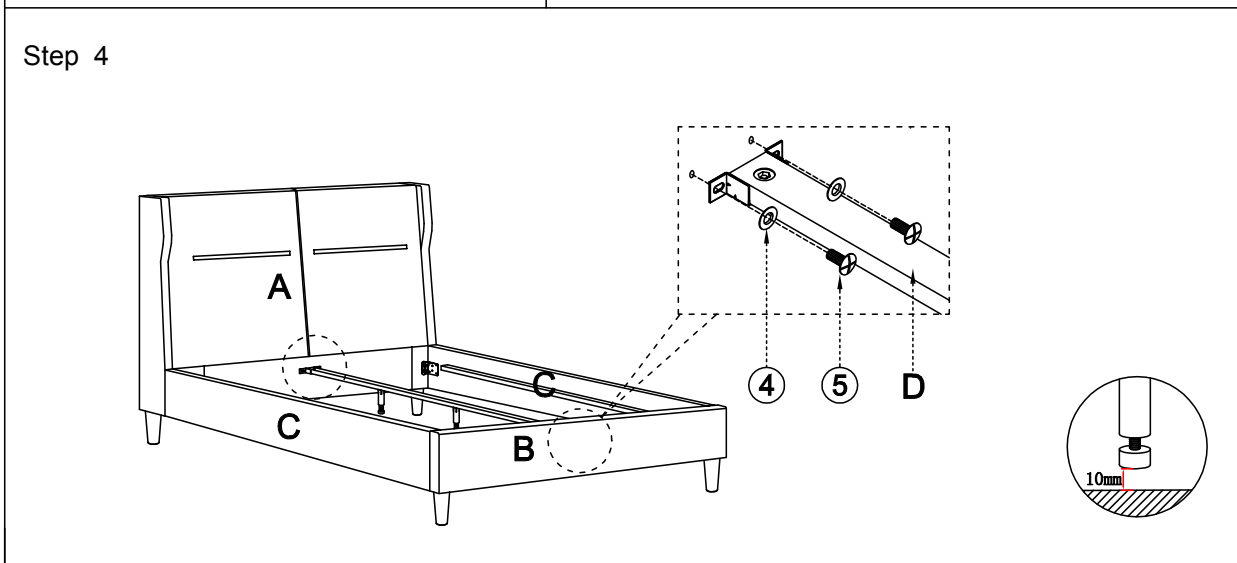
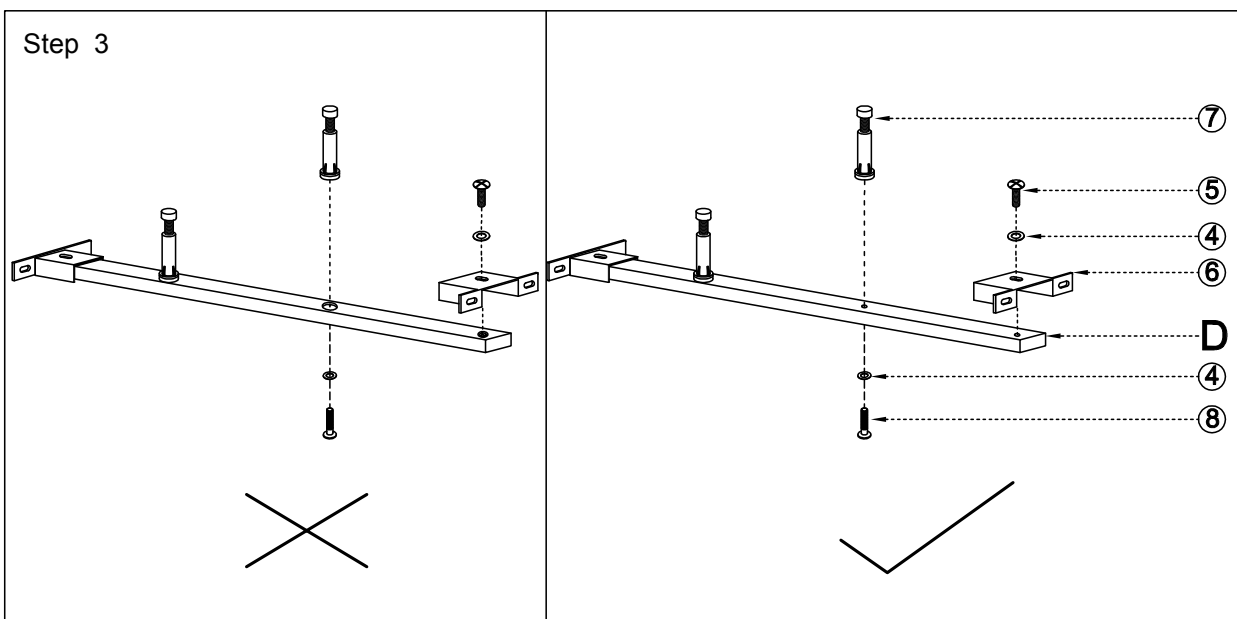


BED FITTINGS

 Feet ① X 4	 Gold Bolts (m8*18) ② X 8	 Allen Key (m5) ③ X 1	 Washers (m8) ④ X 8	 Bolts (m8*20) ⑤ X 6
 Brackets ⑥ X 2	 Support legs ⑦ X 2	 Bolts (m8*40) ⑧ X 2	 Screws (m8*32) ⑨ X 42	

PART LIST

 Headboard A X 1	 Footboard B X 1	 Side Rails C X 2
 Center Rail D X 1	 Slats E X 1	
Step 1		Step 2
		



REMARK : ONCE BED IS ASSEMBLED, DO NOT SIT, STAND OR APPLY WEIGHT DIRECTLY TO SLATS UNLESS MATTRESS IS IN PLACE.