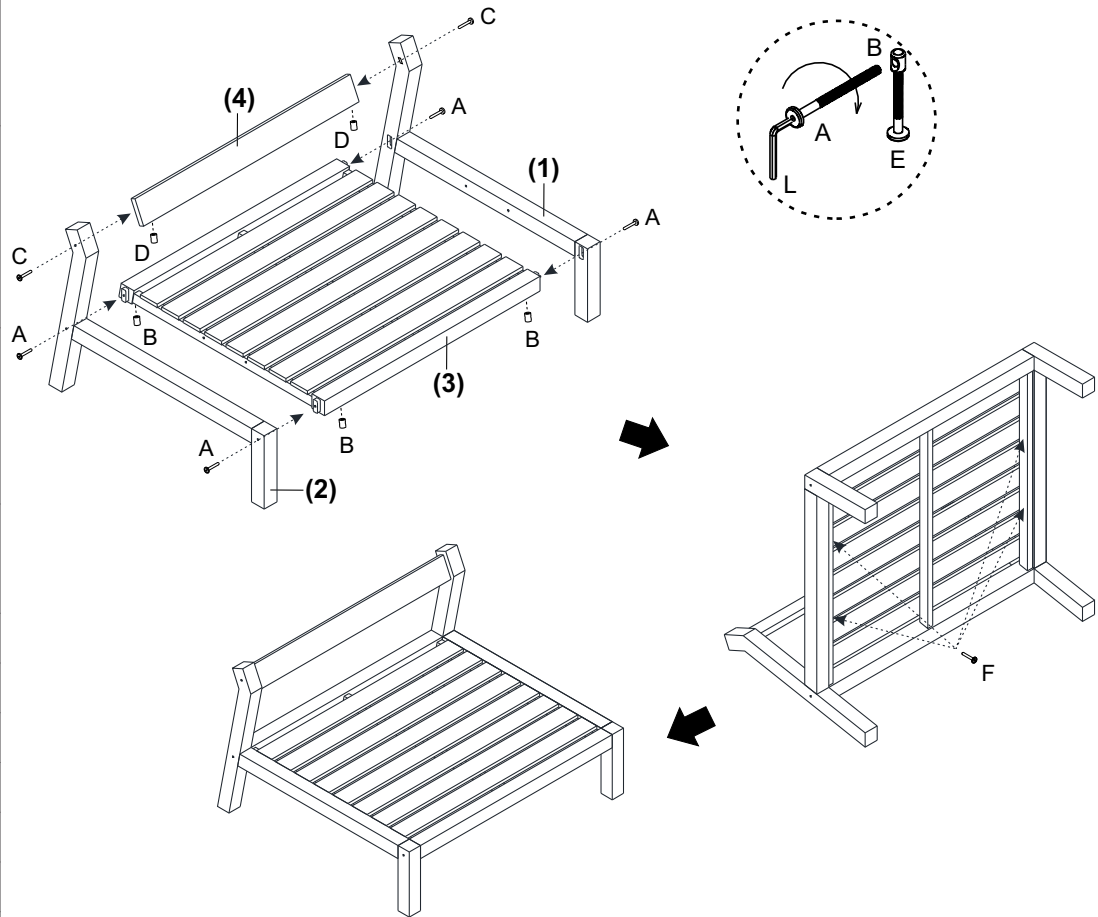
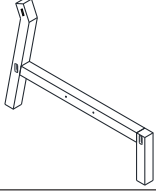
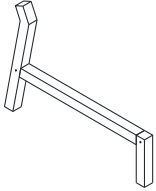
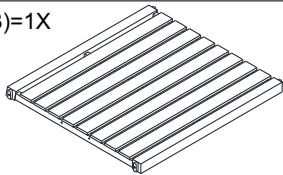










ASSEMBLY INSTRUCTIONS



| | |
|--------|----------------------------------------------------------------------------------------------|
| (1)=1X |  |
| (2)=1X |  |
| (3)=1X |  |
| (4)=1X |  |
| (A)=4X |  (M8X110) |
| (B)=4X |  (M8X13) |
| (C)=2X |  (M6X90) |
| (D)=2X |  (M6X13) |
| (E)=1X |  (M6X70) |
| (F)=4X |  (M6X40) |
| (L)=1X |  |

Please do not tighten bolts until all the components are fully assembled.