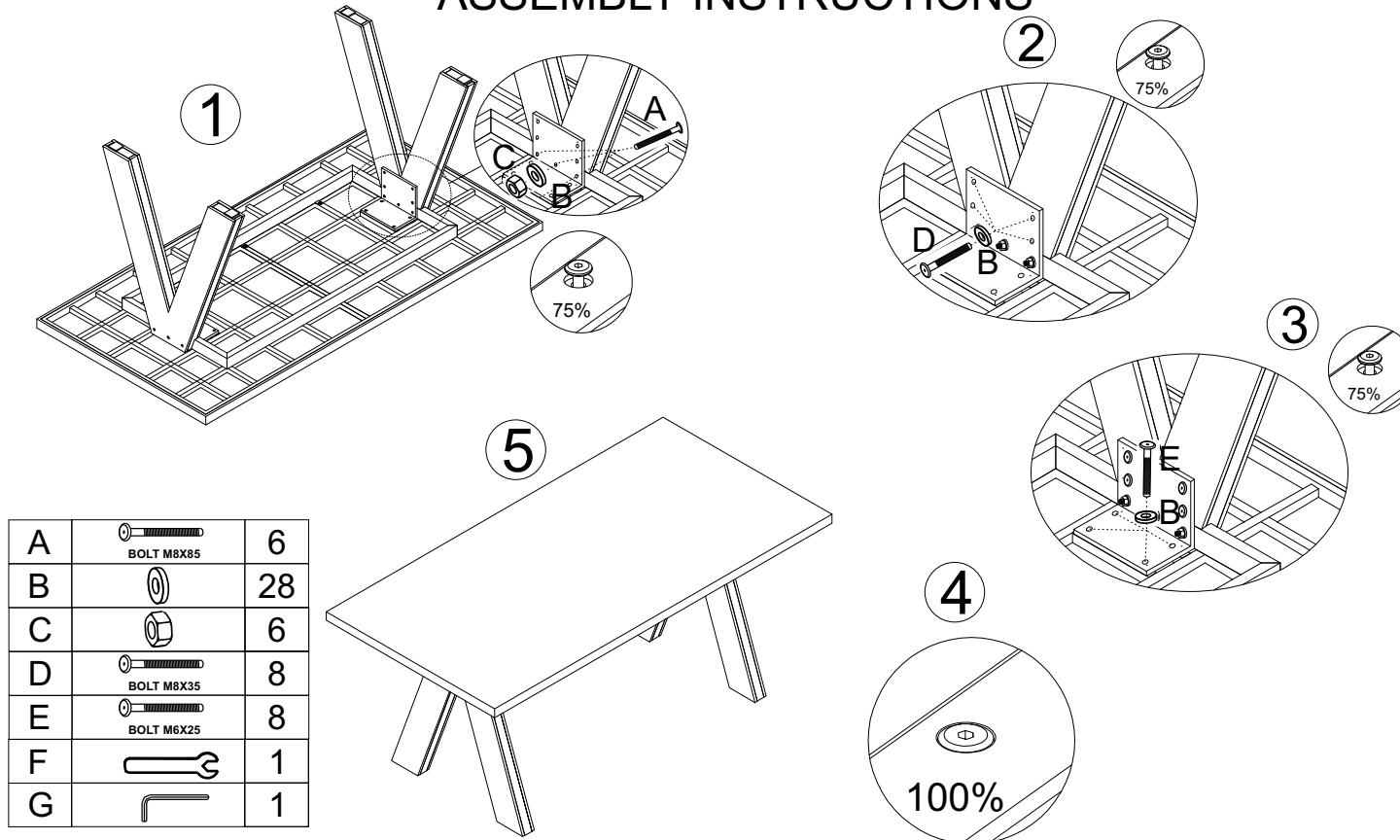
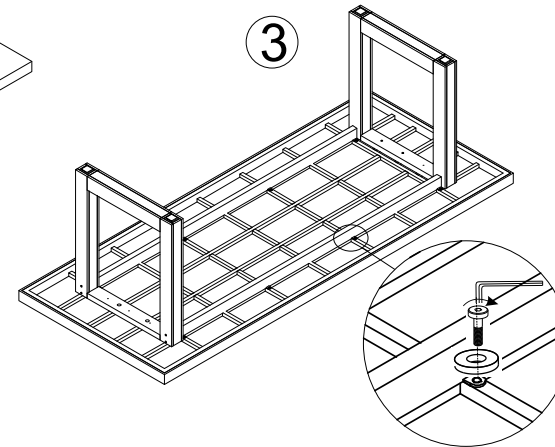
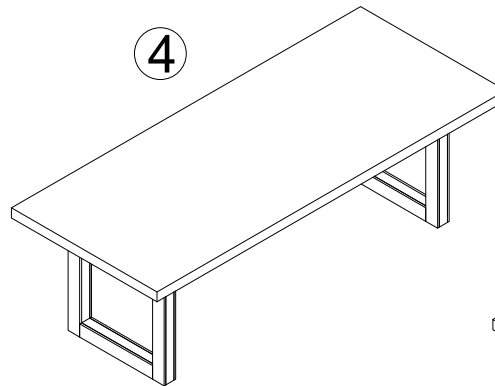
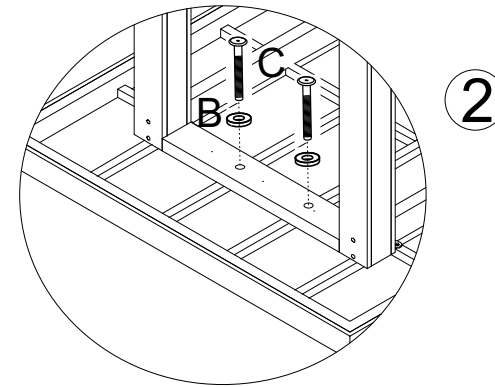
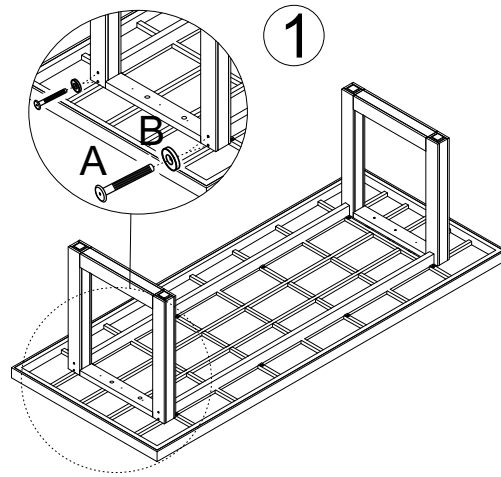






ASSEMBLY INSTRUCTIONS



Please twist each bolt about 75% .
after all of Bolt put on right position ,please tighten 100% for all of Bolt before use

ASSEMBLY INSTRUCTIONS



A	 BOLT M8X85	8
B		12
C	 BOLT M6X45	4
D		1