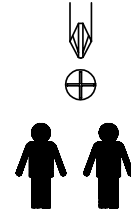
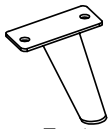



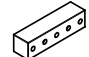


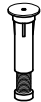

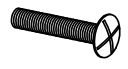
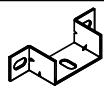





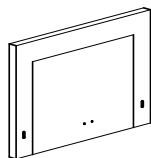
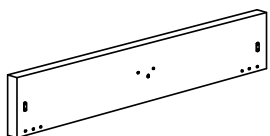


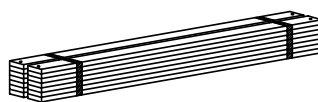
**Tools Needed**  
2 person build



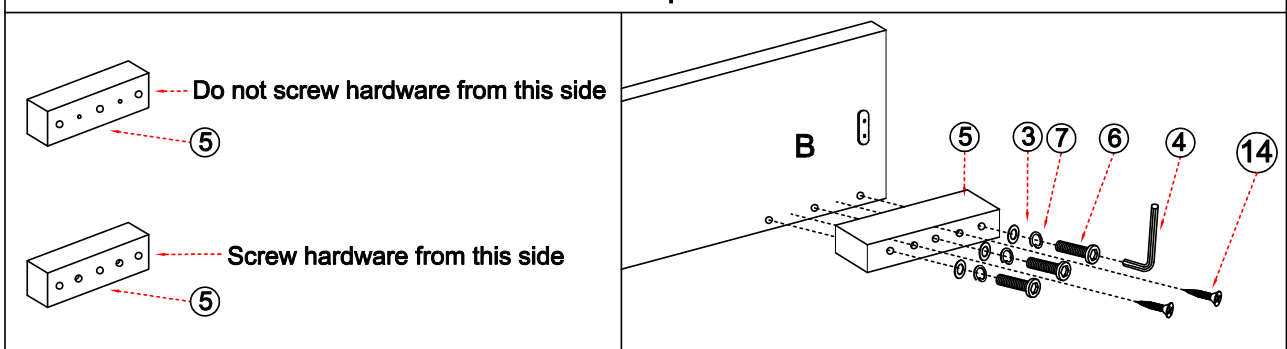
### BED FITTINGS

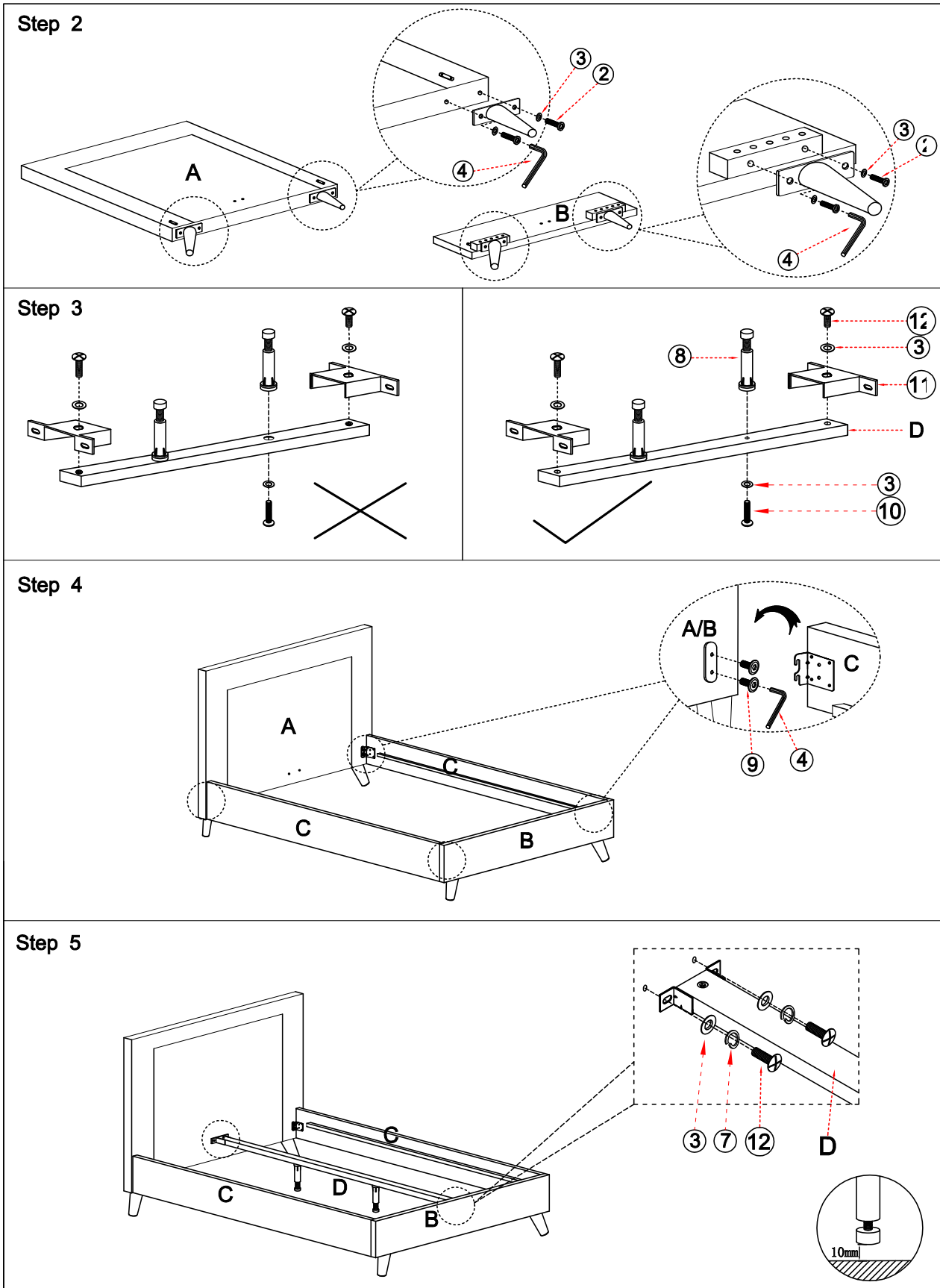
 <b>Foot</b>	 <b>Gold Bolts (m8*20)</b>	 <b>Washers (m8)</b>	 <b>Allen Key (M5)</b>	 <b>Footboard Wood</b>	 <b>Gold Bolt (m8*55)</b>	 <b>Spring Washers (m8)</b>
① X 4	② X 8	③ X 22	④ X 1	⑤ X 2	⑥ X 6	⑦ X 10
 <b>Plastic Support legs</b>	 <b>Gold Bolts (m8*18)</b>	 <b>Bolts (m8*40)</b>	 <b>Brackets</b>	 <b>Bolts (m8*20)</b>	 <b>Screws (m8*32)</b>	 <b>Screws (m8*38)</b>
⑧ X 2	⑨ X 8	⑩ X 2	⑪ X 2	⑫ X 6	⑬ X 42	⑭ X 4

### PART LIST

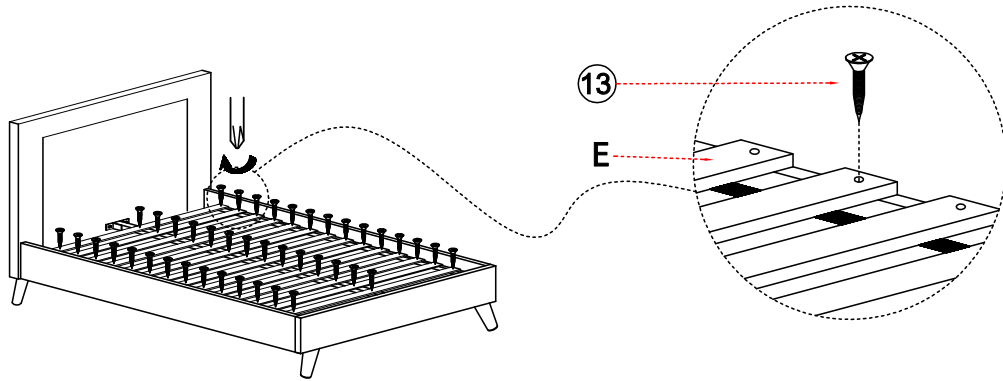
 <b>Headboard</b>	 <b>Footboard</b>	 <b>Side Rails</b>
A X 1	B X 1	C X 2
 <b>Centre Rail</b>	 <b>Slats</b>	
D X 1	E X 1	

### Step 1

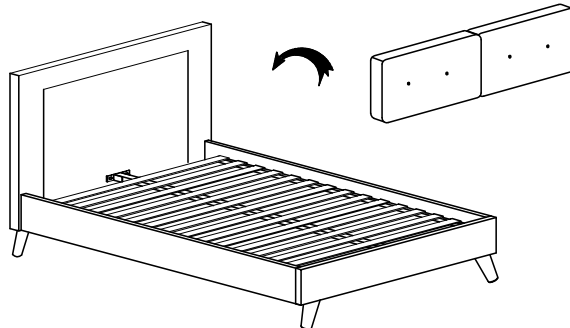




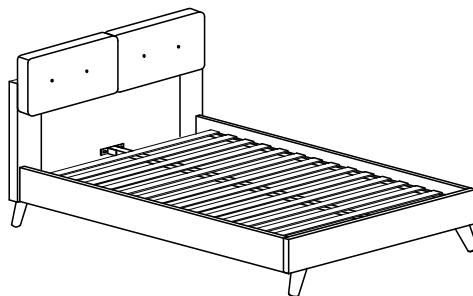
## Step 6



## Step 7



## Step 8



**REMARK : ONCE BED IS ASSEMBLED, DO NOT SIT, STAND OR APPLY WEIGHT DIRECTLY TO SLATS UNLESS MATTRESS IS IN PLACE.**